

# LTN BOX Instructions

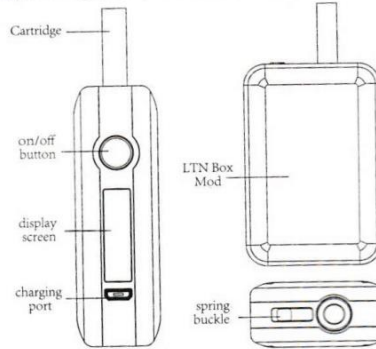
Please read the instructions carefully before using this product

## Packing list

LTN BOX Mod	*1	Micro USB Cable	*1
Cleaning Cotton	*1	Cleaning brush	*1
User manual	*1	Warranty card	*1
steel Needle	*1	Retail packaging	*1

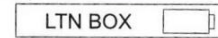
## Product Description

LTN Box is a new kind of intelligent electronic smoking device with pin-type heating and multi-functional HD OLED display.  
 Battery Rated voltage 3.7v ,1800mah.  
 Display screen: HD OLED screen, displaying numbers of suction, battery and smoking notification.  
 Full load: can support work with about 20 cartridges per fully charged.  
 Heating rod: The heating rod provides cylindrical 360-degree heating, controlling operation under constant temperature.

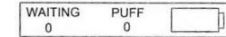


## How to Use

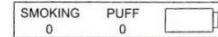
1. Turn on/off: press the on/off button 3 times within 2 seconds , the display screen's lighting up and the device was turned on. if want to turn off the device, press the on/off button 3 times within 2 seconds ,the screen off and the device was turned off.



2. Preheat: press the on/off button 2 times within 1 second then starting preheat. At the same time, it displays a flashing 'WAITING' and Start timing from '0-30 seconds'. preheat time is 30 seconds. And the LTN BOX Mod will remind you starter smoking by vibrate after finish Preheat .



3. Smoking: the flashing character 'WAITING' converts into 'SMOKING' after 30 seconds of preheat, then can be started smoking. The LTN BOX mod will vibrate again after finish smoking -after 300 seconds or 15 times suction. if you want to stop the process of preheat or smoking , you could press the on/off button 2 times within 1 second and stop work directly.

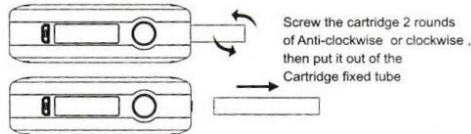


4. Charging: if the voltage below 3.3v and the device will notifying that need to be charged with the 'LOW POWER' shown on the display . we can charging the device by adapter of DC5V/1A or USB port of the computer. A full charging time about 2.5 hours .

5. Load the Cartridge: put it into the Cartridge fixed tube directly.

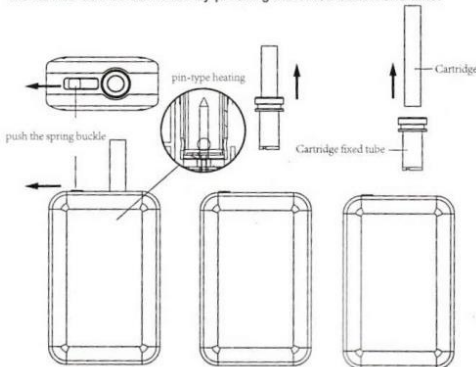
### warmly remind:

Screw the cartridge 2 rounds of Anti-clockwise or clockwise , then put it out of the Cartridge fixed tube, so that can avoid the tobacco stuck inside the Cartridge fixed tube



Screw the cartridge 2 rounds of Anti-clockwise or clockwise , then put it out of the Cartridge fixed tube

6. Device cleaning: we recommend that clean the atomizer tube , Cartridge fixed tube and heating rod per time after 5 Cartridges have been smoked.  
 step 1, push the spring buckle horizontally.  
 step 2, pull the cartridge and fixed tube upwards out of device, then clean the cartridge (Prohibit any operation under the high temperature, all operation should be till the temperature of the device is almost same as room temperature)  
 7. Sleep mode: the device will enter Sleep mode if not used for long time , the device can be activated by pressing the on/off button one time.



## Protective function

**Short circuit protection :** the device will automatically stops working when the atomizer is short circuited.

**Open circuit protection:** the device will automatically stops working when there is no load.

**Low voltage protection:** the device will automatically shuts down the output when voltage below 3.3v.

**Overcharge protection:** when the voltage of battery was charged 4.15±0.05v, the electric current will automatically cut down .

**Smoking protection:** the process of smoking will be automatically stopped when over 15 suction or smoking over 300 seconds.

## Cautions:

- Do not touch the heating rod with any part of body during the device working .
- LNT Box without waterproof function.
- Don't charge the device by any charger which output power over 4.5v
- Prohibit the use this device: Children and pregnant women
- It's prohibited to put this device in fire or high temperature environment so as to avoid explosion
- Do not dismantle this device, we are not responsible for any problems if it has been dismantled .

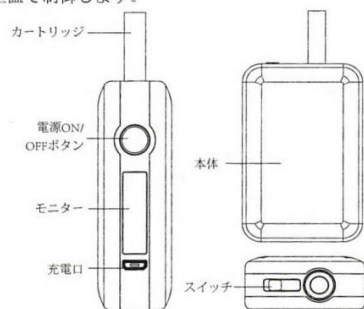
## LTNBOXユーザーガイド

### セット内容

1.LTNBOX本体	*1
2.クリーナーブラシ	*1
3.綿棒	*1
4.USB充電ケーブル	*1
5.ユーザーガイド	*1
6.製品合格説明書	

### 製品の紹介

バッテリー：規定電圧3.7V,1800mAh  
モニター:OLEDスクリーン パフと電池残量の表示  
喫煙時間：フル充電で約20本吸う事が出来ます。  
加熱棒：360°全方位から加熱で均一に加熱します。  
恒温で制御します。



ご利用いただく前に十分お読みください。

### 保護機能

**短絡保護**：電気回路が短絡すると、本体は自動的に電源を切れます。

**開回路保護**：稼働しないと、本体は自動的に睡眠モードに入ります。

**低圧保護**：電池の残量が3.3V以下になると、本体は自動的に稼働を停止します。

**過充電保護**：充電が終わったら、自動的に充電の回路を切れます。

**喫煙保護**：カートリッジを吸い始めたら、300秒後または15パフ後本体が震えて自動的に加熱を停止します。

### ご注意

- 1.本体が稼働しているところ、加熱棒を触らないでください。
- 2.本体を水と接触しないでください。
- 3.DC5V以上のアダプターで充電しないでください。
- 4.子供、妊娠中の女性、授乳中の母親などに適用しません。
- 5.高温の場所に製品を保存しないでください。
- 6.勝手に本体を分解しないでください。

# LTN BOX说明书

使用产品前请仔细阅读说明书

## 标准配置

LTN BOX 主机	*1	MICRO USB充电线	*1
棉签	*1	清洁刷	*1
说明书	*1	合格证	*1
钢针	*1	包装盒	*1

## 产品介绍

LTN BOX是一款搭配针式发热和多功能高清OLED显示屏的新型智能电子烟具。

电池：额定电压3.7V，1800mah。  
显示屏：OLED高清屏，显示口数、电量并带吸烟提示。  
满电负荷：主机满电状态下约可抽取20个烟弹。  
发热棒：发热棒为圆柱形360度全方位加热，恒温控制工作

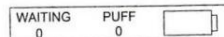


## 使用说明

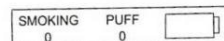
1、开机和关机：2秒内连续点击开关键3次，显示屏点亮表示开机；如需关机，同样2秒内连续点击开关键3次，显示屏熄灭表示关机。



2、预热：在开机状态下，1秒内连续点击开关键2次，进入预热，此时屏幕显示跳动字符“WAITING”和递进制的“0-30秒”计时，预热时间为30秒，达到30秒后主机震动提示用户可以开始吸烟。



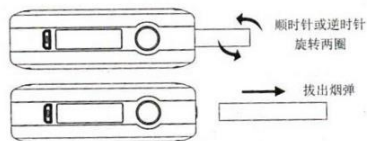
3、吸烟：预热30秒过后，屏幕上闪烁的“WAITING”字符转变为“SMOKING”，表示可以进行抽烟，满300秒或者15口后，主机震动表示已经吸完。预热或抽烟过程中，如想终止预热或终止抽烟，在1秒内连续点击开关键2次，震动器震动一次，提示用户已退出预热或抽烟，随后主机进入休眠



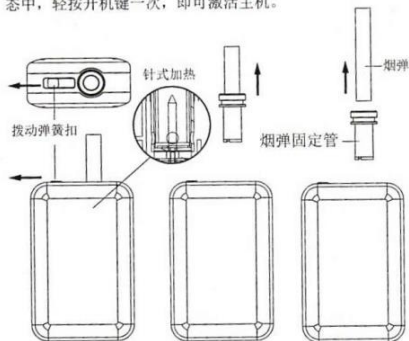
4、充电：如果电压低于3.3V，屏幕上就会显示“LOW POWER”，提示用户需要充电，使用DC5V/1A的适配器或电脑USB接口充电，充满电约需2.5小时。

5、插烟弹：直接按压即可。

**温馨提示：**  
拔烟弹时，将烟弹顺时针或逆时针旋转两圈后再向上拔出烟弹，以防烟丝卡在烟弹固定管里。  
如烟丝已卡在里面，可用钢针或者牙签等尖锐物捅碎烟丝，清理干净即可。



6、主机清洁：建议每使用5支烟弹后需清洁一次雾化器腔体、烟弹固定管、发热棒。拨动弹簧扣，手持烟弹向上拔出，此时烟弹固定管连同烟弹一起拔出，再拔掉烟弹进行清洁（不能在高温状态下将清洁刷插入雾化器内进行清洁，应待内部温度降低至室温后再清洁）。  
7、休眠状态：开机后长时间不用，主机处于休眠状态，在此状态下，轻按开机键一次，即可激活主机。



## 保护功能

短路保护：雾化器短路，主机自动关闭不工作。

开路保护：无负载，主机自动关闭不工作。

低压保护：电池电压低于3.3V时，主机自动关闭输出。

过充保护：电池电压充到4.15V正负0.05V时，自动切断充电电流，完成充电。

抽烟保护：

一支烟弹抽取超过15口，自动切断输出，停止抽烟。

一支烟弹烘烤及抽取时间达到300秒，自动切断输出，停止抽烟。

## 注意事项

- 1、主机工作中，人体部位请勿直接接触发热棒，避免烫伤。
- 2、LTN BOX主机无防水功能，请勿掉入水中。
- 3、不得使用超过DC5V的电源进行充电。
- 4、严禁未成年人、孕妇和其他相关禁用人员使用本产品。
- 5、切勿将本机放置在高温或者火中，否则有爆炸危险。
- 6、不得随意拆卸本机，否则出现问题我司概不负责。